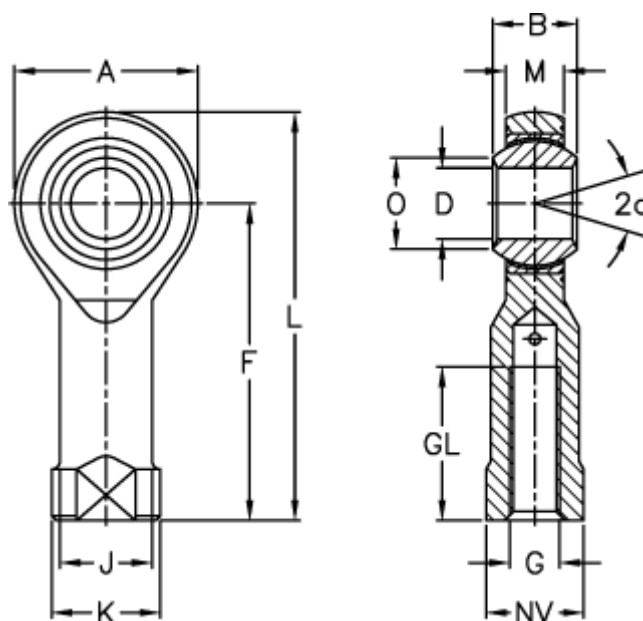


Article number: 03020004

Description: Fluro Rod End GIRSW 4-RR  
Stainless steel complete

## Measures



A	= 14	J	= 7.8	Weight (g) = 11
a (degrees)	= 14	K	= 9.5	
B	= 7	L	= 31	
D	= 4	M	= 5.25	
Dynamic load C (kN)	= 0.8	NV	= 8	
F	= 24	O	= 6.5	
G	= M4	Permissible rpm	= --	
GL	= 12	Static load C0 (kN)	= 2.7	